

*As India's leading cable tray manufactures, we provide excellent range of solid, perforated and ladder cable trays. Outstanding in quality and service, with wide variety of styles, materials and finishes, our cable trays are designed to suit any commercial or industrial projects.*

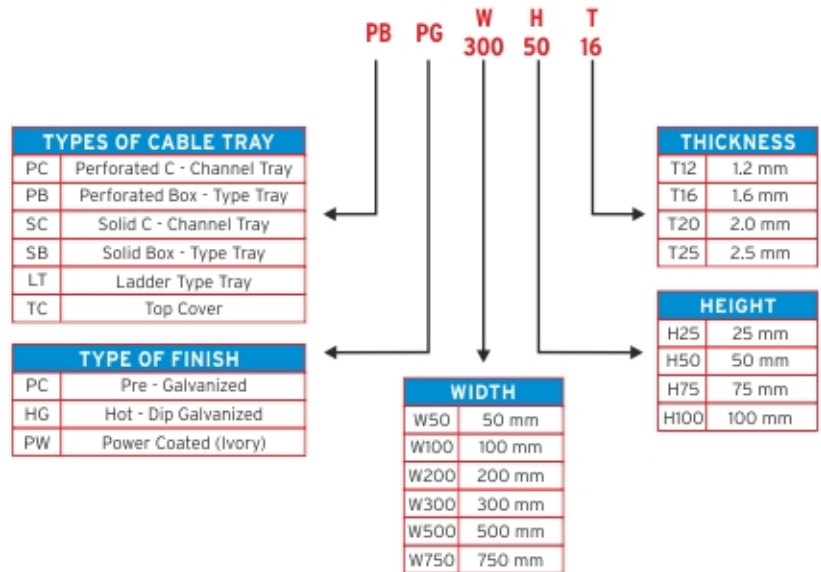
## CABLE TRAY NUMBERING SYSTEM

For ease of identifying the products a numbering system has been developed. Each code and characteristic of numbering system is explained below.

### STRAIGHT CABLE TRAYS

Straight cable tray can be ordered depending upon the type of cable tray, its finish and the dimensions required. Standard length of cable tray is 2.5 meters and widths from 50mm to 750mm will be available.

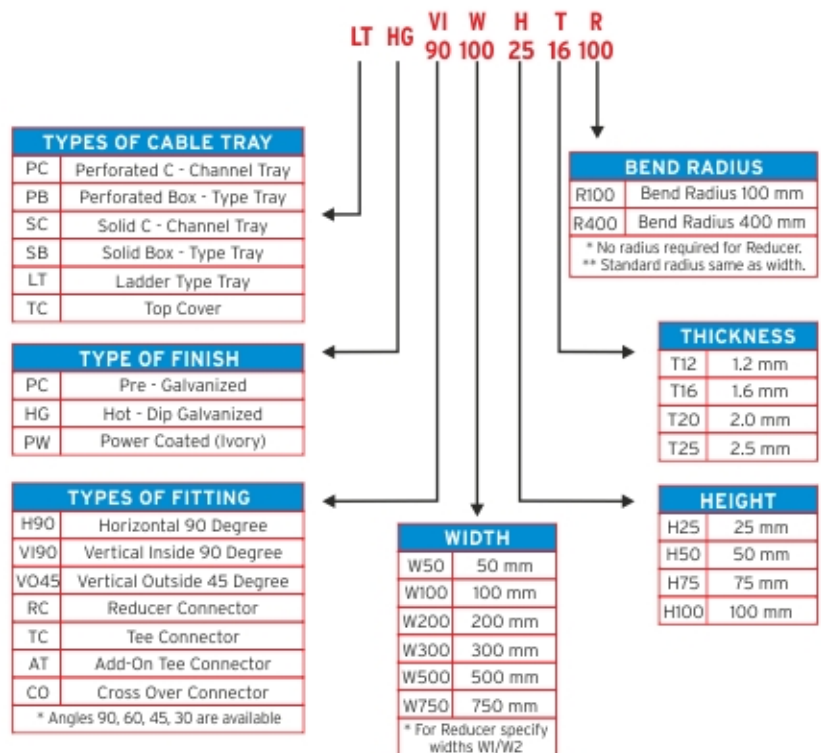
**Example :** A pre-galvanized, perforated box type straight cable tray with width 300mm, height 50mm and sheet thickness 1.6mm will be designated by **PB PG W300 H50 T16**



### BENDS AND FITTINGS

Please follow the following numbering system for ordering different type of bends and fittings.

**Example :** A hot-deep galvanized ladder cable tray having vertical inside bend of 90 degree with width 100mm, height 25mm, sheet thickness 1.6mm and bend radius 100mm will be designated as **LT HG VI90 W100 H25 T16 R100**



## LADDER CABLE TRAY

Ladder cable trays are dominantly used to support power cables as they provide maximum ventilation. This is helpful for dissipating heat generated by power cables. Each ladder cable tray has two longitudinal side rails, connected by rungs. The rungs may be welded or riveted depending upon the type of finish.

### STRAIGHT SECTION (SS)

**Length (meters) :** 2.5

**Rung Distance :** 250mm (Standard)

**Width (mm) :** 100, 150, 200, 300, 400, 500 and 750

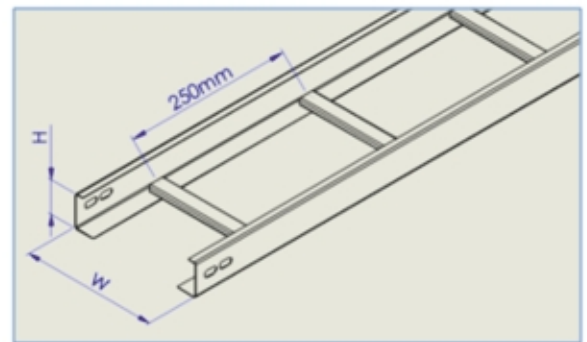
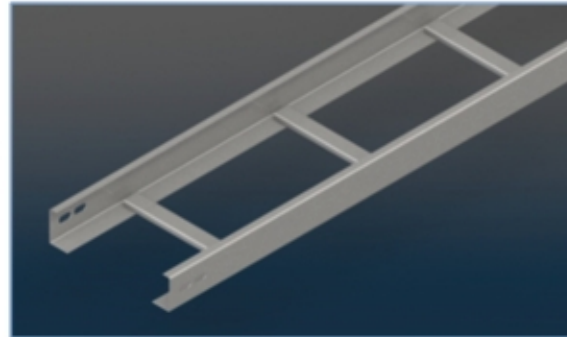
**Height (mm) :** 50, 75, 100, 125, 150

**Thickness (mm) :** 1.2, 1.6, 2.0, 2.5

**Material :** GI and MS Sheets

**Finish :** Pre-Galvanized, Hot deep Galvanized, Powder Coated

**Example :** A pre-galvanized 2.5 meter long ladder cable tray with width of 200mm, height 50mm and sheet thickness 1.6mm will be represented as **LT PG W200 H50T16**



### HORIZONTAL BEND (HO)

**Width (mm) :** 100, 150, 200, 300, 400, 500 and 750

**Height (mm) :** 50, 75, 100, 125, 150

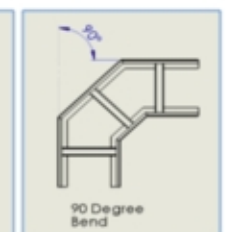
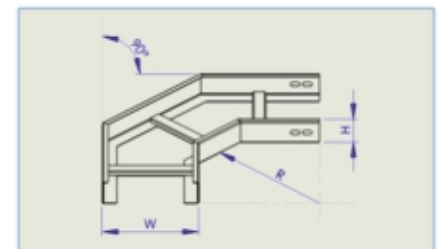
**Thickness (mm) :** 1.2, 1.6, 2.0, 2.5

**Angle :** 90, 60, 45, 30

**Bend Radius :** Same as width of cable tray

**Finish :** Pre-Galvanized, Hot deep Galvanized, Powder Coated

**Example :** A hot-dip galvanized Horizontal Bend of 90 degrees, with a width of 500mm, height 100mm, sheet thickness 1.6mm and bend radius of 500mm will be represented as **LT HG HO90 W500 H100 T16**



## LADDER CABLE TRAY

### VERTICAL INSIDE BEND (VI)

**Width (mm) :** 100, 150, 200, 300, 400, 500 and 750

**Height (mm) :** 50, 75, 100, 125, 150

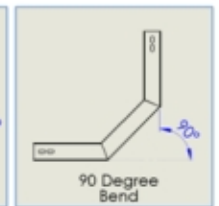
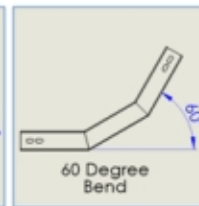
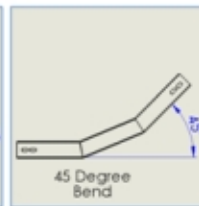
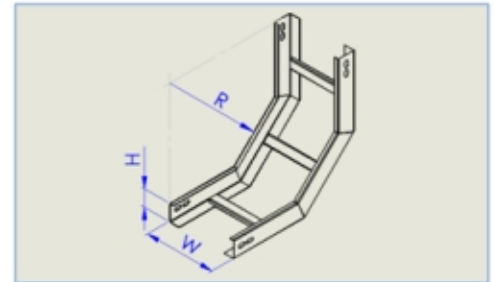
**Thickness (mm) :** 1.2, 1.6, 2.0, 2.5

**Angle :** 90, 60, 45, 30

**Bend Radius :** Same as width of cable tray

**Finish :** Pre-Galvanized, Hot deep Galvanized, Powder Coated

**Example :** A Powder-Coated Vertical Inside Bend of 90 degrees, with a width of 200mm, height 50mm, sheet thickness 2.0mm and bend radius of 500mm will be represented as **LT PW VI90 W200 H50 T20**



### VERTICAL OUTSIDE BEND (VO)

**Width (mm) :** 100, 150, 200, 300, 400, 500 and 750

**Height (mm) :** 50, 75, 100, 125, 150

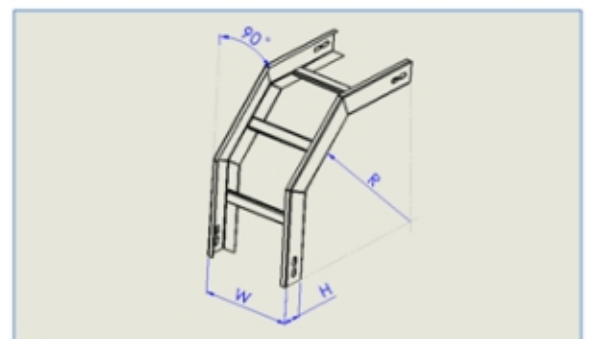
**Thickness (mm) :** 1.2, 1.6, 2.0, 2.5

**Angle :** 90, 60, 45, 30

**Bend Radius :** Same as width of cable tray

**Finish :** Pre-Galvanized, Hot deep Galvanized, Powder Coated

**Example :** A Pre-Galvanized Vertical Outside Bend of 45 degrees, with a width of 400mm, height 125mm, sheet thickness 2.5mm and bend radius of 500mm will be represented as **LT PG VO90 W400 H125 T25**





## LADDER CABLE TRAY

### CROSE COVER (CO)

**Width (mm) :** 100, 150, 200, 300, 400, 500 and 750

**Height (mm) :** 50, 75, 100, 125, 150

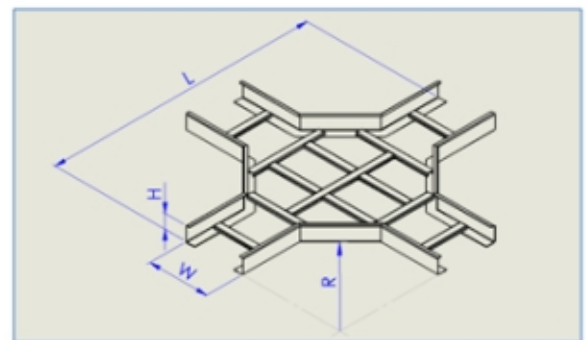
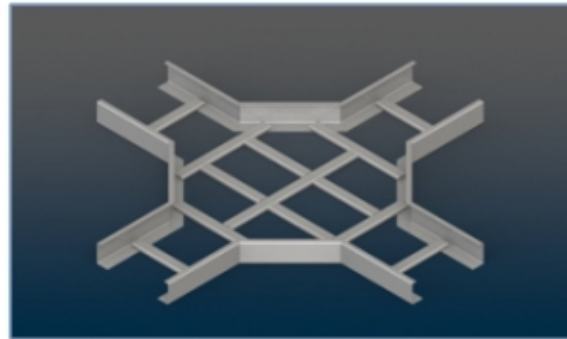
**Thickness (mm) :** 1.2, 1.6, 2.0, 2.5

**Bend Radius :** Same as width of cable tray

**Length :** 3 times width

**Finish :** Pre-Galvanized, Hot deep Galvanized, Powder Coated

**Example :** A Powder-Coated Cross-Over with a width of 750mm, height 150mm, sheet thickness 1.6mm and bend radius of 500mm will be represented as **LT PW CO W750 H150 T16**



### TEE CONNECTOR (TC)

**Width (mm) :** 100, 150, 200, 300, 400, 500 and 750

**Height (mm) :** 50, 75, 100, 125, 150

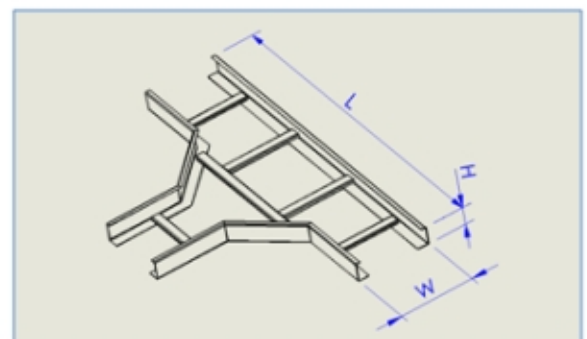
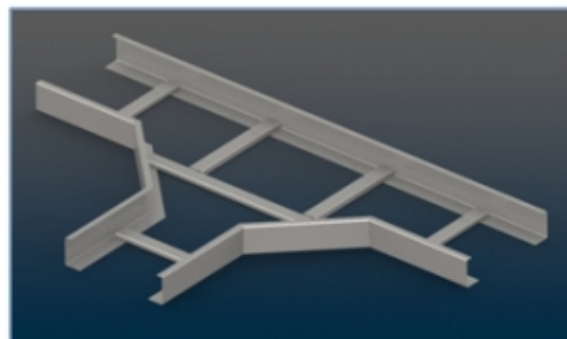
**Thickness (mm) :** 1.2, 1.6, 2.0, 2.5

**Bend Radius :** Same as width of cable tray

**Length :** 3 times Width

**Finish :** Pre-Galvanized, Hot deep Galvanized, Powder Coated

**Example :** A Powder-Coated Tee-Connector with a width of 500mm, height 125mm, sheet thickness 1.2mm and bend radius of 500mm will be represented as **LT PW TC W500 H125 T12**



## LADDER CABLE TRAY

### ADD-ON TEE (AT)

**Width (mm) :** 100, 150, 200, 300, 400, 500 and 750

**Height (mm) :** 50, 75, 100, 125, 150

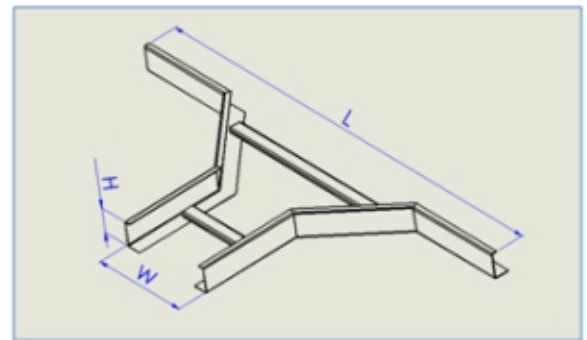
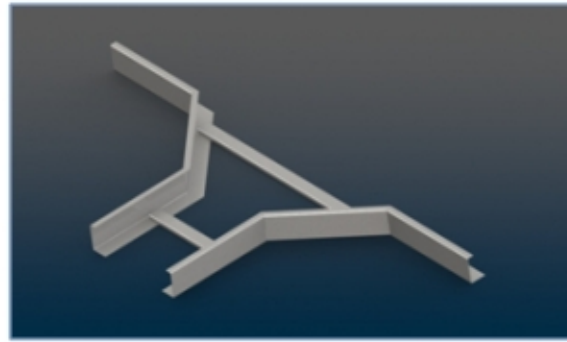
**Thickness (mm) :** 1.2, 1.6, 2.0, 2.5

**Bend Radius :** Same as width of cable tray

**Length :** 3 times Width

**Finish :** Pre-Galvanized, Hot deep Galvanized, Powder Coated

**Example :** A Pre-Galvanized Add-On Tee Connector with a width of 300mm, height 50mm, sheet thickness 1.2mm and bend radius of 500mm will be represented as **LT PG AT W300 H50 T12**



### REDUCER CONNECTOR (RC)

**Width (mm) :** 100, 150, 200, 300, 400, 500 and 750

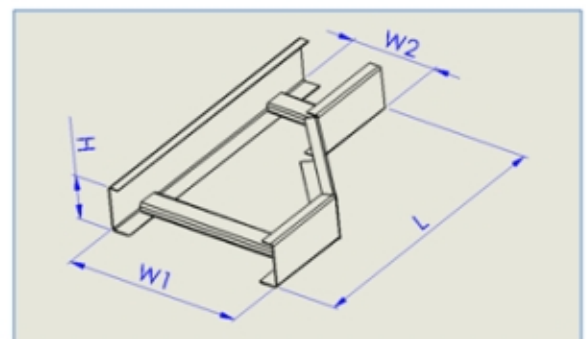
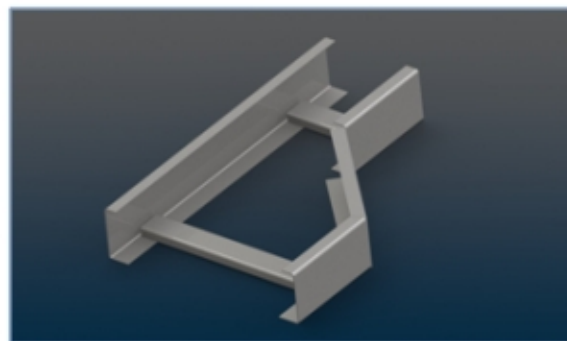
**Height (mm) :** 50, 75, 100, 125, 150

**Thickness (mm) :** 1.2, 1.6, 2.0, 2.5

**Length(mm) :** 500 (Standard)

**Finish :** Pre-Galvanized, Hot deep Galvanized, Powder Coated

**Example :** A Hot-Dip Galvanized Reducer Connector with a width W1 of 200mm and width W2 of 100, height 75mm and sheet thickness 2.0mm will be represented as **LT HGRC W200/W100 H75 T20**



## PERFORATED CABLE TRAY

Whether indoor or outdoor perforated cable tray can provides perfect cable support system. Depending upon sheet thickness they can be used from light duty to heavy duty application. Covered perforated cable trays provide excellent protection against electrical and radio frequency. Air ventilation is maintained through louvers along its length. These are extensively used in industrial and commercial projects due to its safety, cost saving and ease of installation.

### STRAIGHT SECTION (SS)

**Length (meters) :** 2.5 (Standard)

**Width (mm) :** 50, 100, 200, 250, 300, 500 and 750

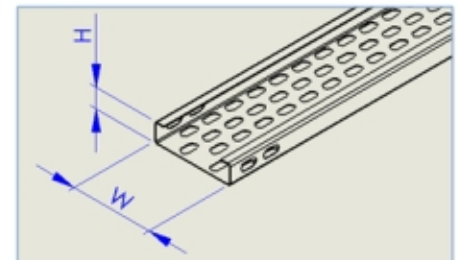
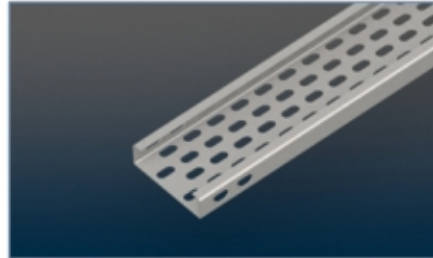
**Depth (mm) :** 25, 50, 75, 100, 150

**Thickness (mm) :** 1.2, 1.6, 2.0, 2.5

**Material :** GI and MS Sheets

**Finish :** Pre-Galvanized, Hot deep Galvanized, Powder Coated

**Example :** A Pre-Galvanized Box type Perforated Cable Tray with a width of 300mm, height 75mm and sheet thickness 2.0mm will be represented as **PB PG W300 H75 T20**



### HORIZONTAL BEND (HO)

**Width (mm) :** 50, 100, 200, 250, 300, 500 and 750

**Depth (mm) :** 25, 50, 75, 100, 150

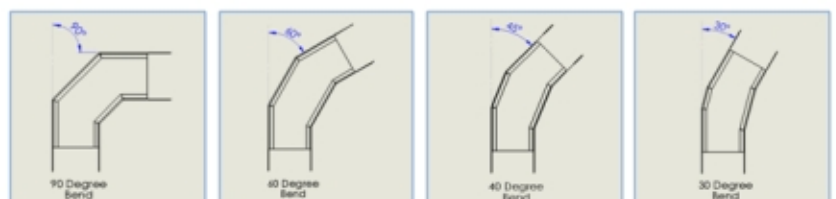
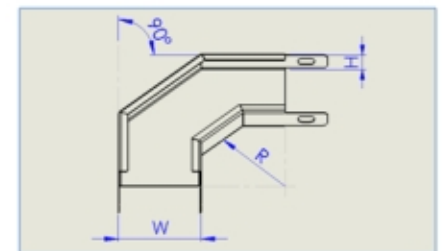
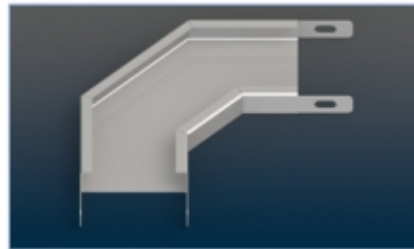
**Thickness (mm) :** 1.2, 1.6, 2.0, 2.5

**Angle (degree) :** 90, 60, 45, 30

**Bend Radius :** Same as width of cable tray

**Finish :** Pre-Galvanized, Hot deep Galvanized, Powder Coated

**Example :** A hot-dip galvanized Perforated C-Channel Horizontal Bend of 90 degrees, with a width of 500mm, height 100mm, sheet thickness 1.6mm and bend radius of 500mm will be represented as **PC PW HO90 W500 H100 T16**



## PERFORATED CABLE TRAY

### VERTICAL INSIDE BEND (VI)

**Width (mm) :** 50, 100, 200, 250, 300, 500 and 750

**Depth (mm) :** 25, 50, 75, 100, 150

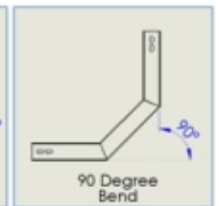
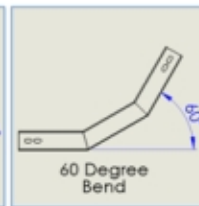
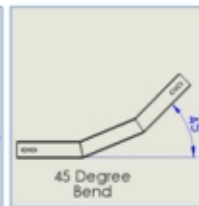
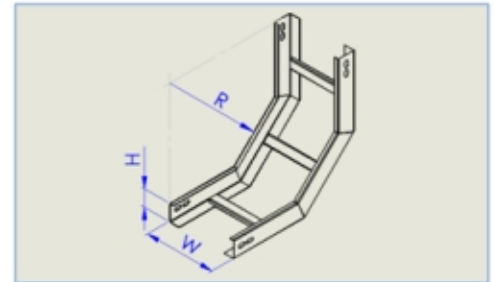
**Thickness (mm) :** 1.2, 1.6, 2.0, 2.5

**Angle :** 90, 60, 45, 30

**Bend Radius :** Same as width of cable tray

**Finish :** Pre-Galvanized, Hot deep Galvanized, Powder Coated

**Example :** A powder-coated Perforated Box type Inside Vertical Bend of 45 degrees, with a width of 300mm, height 50mm, sheet thickness 2.0mm and bend radius of 500mm will be represented as **PB PW H45 W300 VI50 T20**



### VERTICAL OUTSIDE BEND (VO)

**Width (mm) :** 50, 100, 200, 250, 300, 500 and 750

**Depth (mm) :** 25, 50, 75, 100, 150

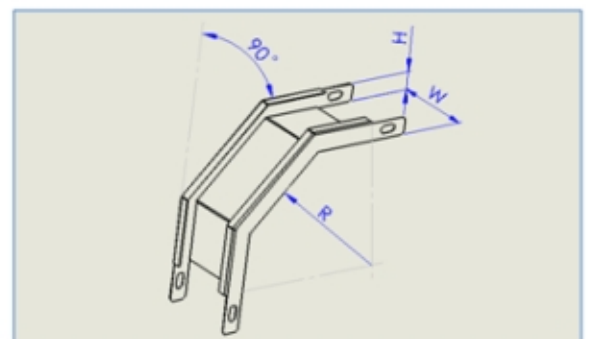
**Thickness (mm) :** 1.2, 1.6, 2.0, 2.5

**Angle :** 90, 60, 45, 30

**Bend Radius :** Same as width of cable tray

**Finish :** Pre-Galvanized, Hot deep Galvanized, Powder Coated

**Example :** A powder-coated Perforated C-Channel Outside Vertical Bend of 90 degrees, with a width of 500mm, height 100mm, sheet thickness 2.5mm and bend radius of 500mm will be represented as **PC PW VO90 W500 H100 T25**





## PERFORATED CABLE TRAY

### CROSE COVER (CO)

**Width (mm) :** 50, 100, 200, 250, 300, 500 and 750

**Depth (mm) :** 25, 50, 75, 100, 150

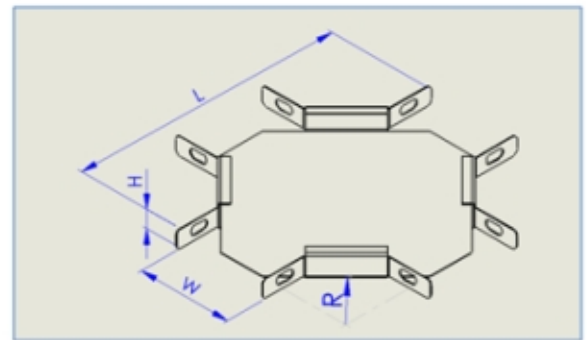
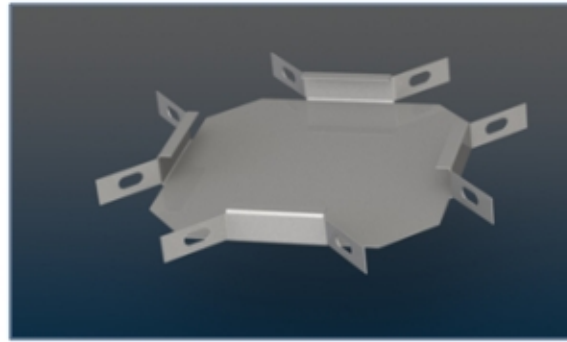
**Thickness (mm) :** 1.2, 1.6, 2.0, 2.5

**Bend Radius :** Same as width of cable tray

**Length :** 3 times Width

**Finish :** Pre-Galvanized, Hot deep Galvanized, Powder Coated

**Example :** A Pre-Galvanized Perforated Box type Cross-Over with a width of 300mm, height 50mm, sheet thickness 1.2mm and bend radius of 500mm will be represented as **PB PG CO W300 H50 T12**



### TEE CONNECTOR (TC)

**Width (mm) :** 50, 100, 200, 250, 300, 500 and 750

**Depth (mm) :** 25, 50, 75, 100, 150

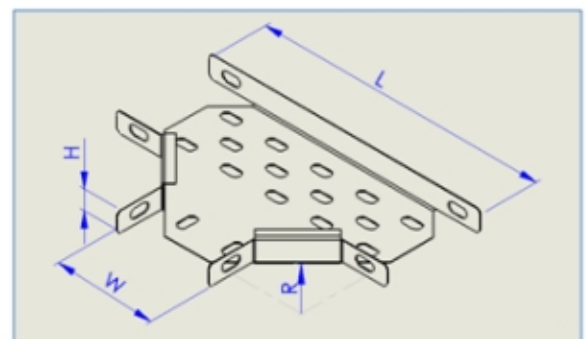
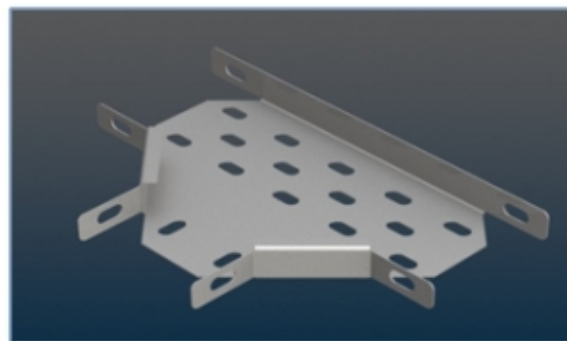
**Thickness (mm) :** 1.2, 1.6, 2.0, 2.5

**Bend Radius :** Same as width of cable tray

**Length :** 3 times Width

**Finish :** Pre-Galvanized, Hot deep Galvanized, Powder Coated

**Example :** A Powder-Coated Perforated Tee-Connector with a width of 500mm, height 125mm, sheet thickness 1.2mm and bend radius of 500mm will be represented as **PC PW TC W500 H125 T12**



## PERFORATED CABLE TRAY

### ADD-ON TEE CONNECTOR (AT)

**Width (mm) :** 50, 100, 200, 250, 300, 500 and 750

**Height (mm) :** 25, 50, 75, 100, 150

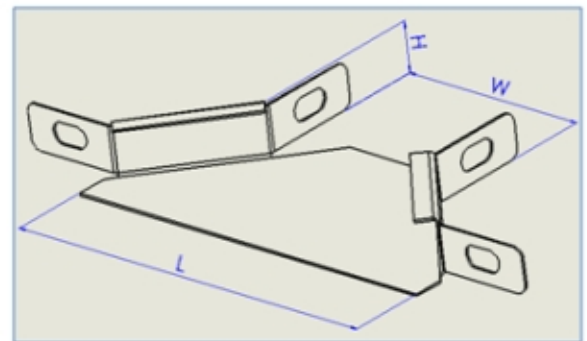
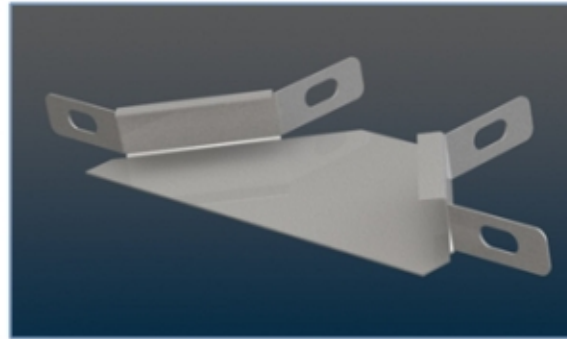
**Thickness (mm) :** 1.2, 1.6, 2.0, 2.5

**Bend Radius :** Same as width of cable tray

**Length :** 3 times Width

**Finish :** Pre-Galvanized, Hot deep Galvanized, Powder Coated

**Example :** A Pre-Galvanized Perforated Box type Add-On Tee Connector with a width of 300mm, height 50mm, sheet thickness 1.2mm and bend radius of 500mm will be represented as **PB PG AT W300 H50 T12**



### REDUCER CONNECTOR (RC)

**Width (mm) :** 50, 100, 150, 200, 300, 400, 500 and 750

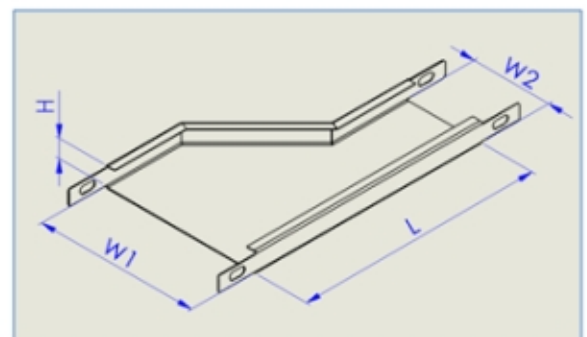
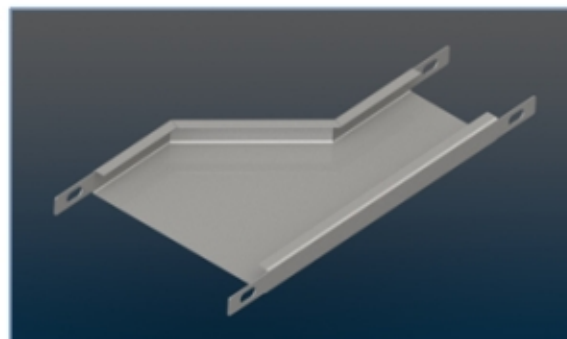
**Height (mm) :** 50, 75, 100, 125, 150

**Thickness (mm) :** 1.2, 1.6, 2.0, 2.5

**Length(mm) :** 500 (Standard)

**Finish :** Pre-Galvanized, Hot deep Galvanized, Powder Coated

**Example :** A Hot-Dip Galvanized Perforated Box type Reducer Connector with a width W1 of 200mm and width W2 of 100, height 75mm and sheet thickness 2.0mm will be represented as **PB HG RC W200/W100 H75 T20**



## CABLE TRAY COVERS

### SOLID TOP COVER (ST)

**Length (meters) :** 2.5 (Standard)

**Width (mm) :** 50, 100, 200, 250, 300, 500 and 750

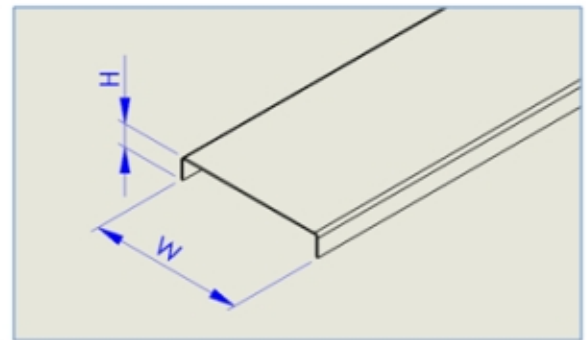
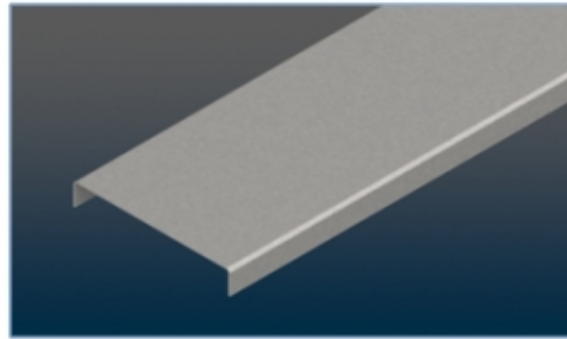
**Height (mm) :** 15, 20, 25, 50

**Thickness (mm) :** 1.2, 1.6, 2.0, 2.5

**Material :** GI and MS Sheets

**Finish :** Pre-Galvanized, Hot deep Galvanized, Powder Coated

**Example :** A Powder-Coated Solid Cover with a width  $W$  of 300mm , height 25mm and sheet thickness 2.0mm will be represented as **ST PW W300 H25 T20**



## CABLE TRAY ACCESSORIES

### C - CHANNEL (CC)

**Length (mm) :** 200, 300, 400, 500, 600, 750, 1000, 1500, 2500

**Width (mm) :** 50, 75

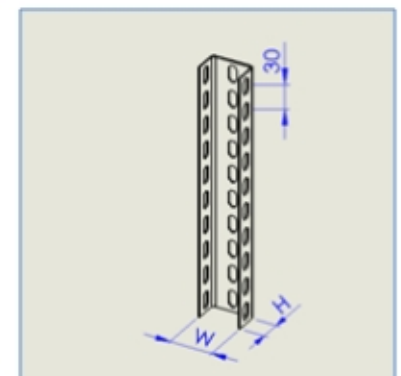
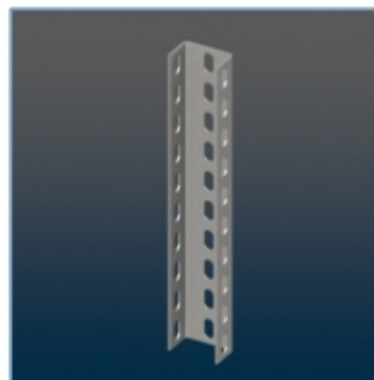
**Height (mm) :** 30 (Standard)

**Thickness (mm) :** 2.0, 2.5

**Material :** GI and MS Sheets

**Finish :** Pre-Galvanized, Hot deep Galvanized, Powder Coated

**Example :** A Powder-Coated Channel Support with length 500mm, width of 50mm and sheet thickness 2.0mm will be represented as **CC PW L500 W50 T20**



## CABLE TRAY ACCESSORIES

### HEAD PLATE (HP)

**Length (mm) :** 150, 200, 250

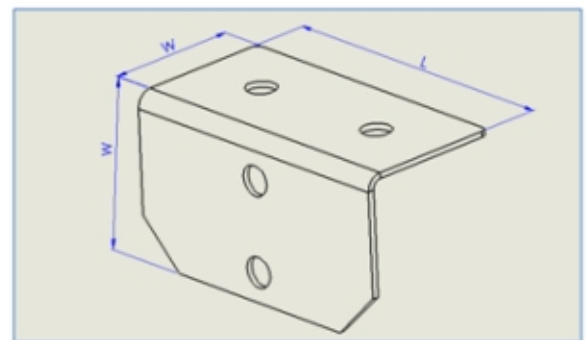
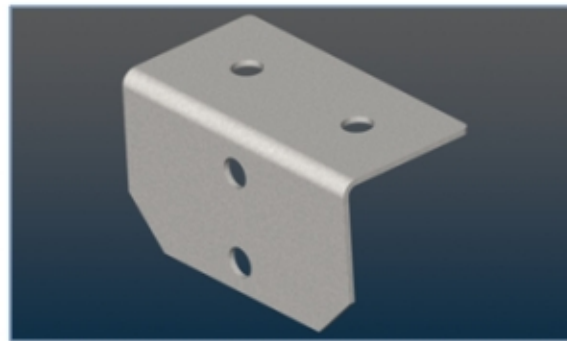
**Width (mm) :** 50x50, 75x75, 100x100

**Thickness (mm) :** From 3.0mm to 6.0mm

**Material :** MS Angle

**Finish :** Hot deep Galvanized, Powder Coated

**Example :** A Powder-Coated Head Plate with length 50x50mm, a width of 150mm, and sheet thickness 2.5mm will be represented as **HP PW L150 W50x50T25**



### BRACKET (BR)

**Length (mm) :** 150, 200, 250, 350, 450, 550, 800

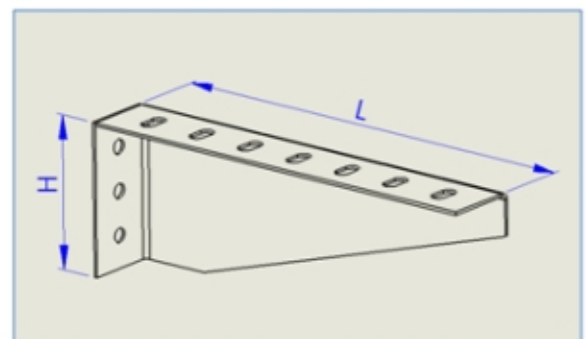
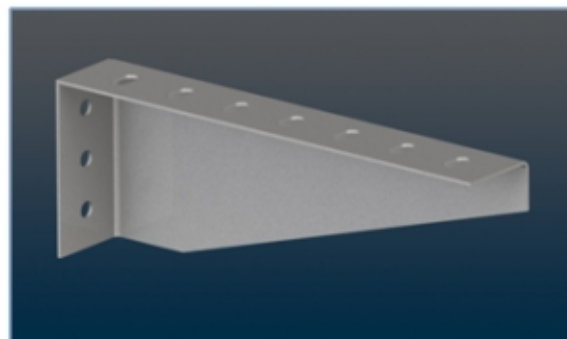
**Height (mm) :** 105, 135

**Thickness (mm) :** 2.0, 2.5, 3.0

**Material :** GI and MS Sheets

**Finish :** Pre-Galvanized, Hot deep Galvanized, Powder Coated

**Example :** A Pre-Galvanized Bracket with length 150, height 105mm and sheet thickness 2.5mm will be represented as **BRPG L150 H105 T25**





## CABLE TRAY ACCESSORIES

### ANGLE SUPPORT (AS)

**Length (mm) :** 200, 300, 400, 500, 600, 750, 1000, 1500, 2500

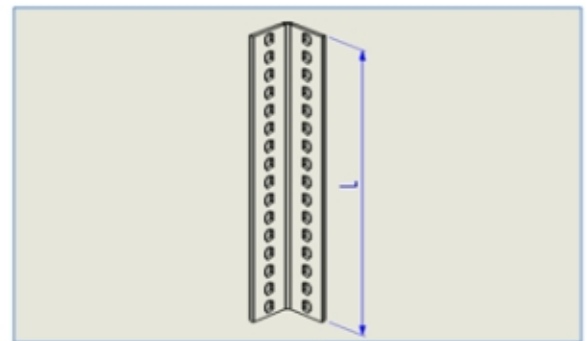
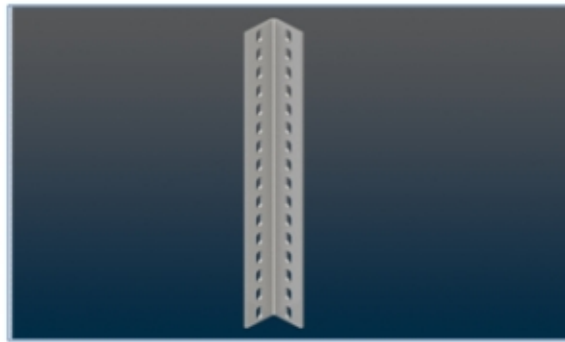
**Width (mm) :** 50x50, 75x50, 75x75

**Thickness (mm) :** From 2.0mm to 6.0mm

**Material :** MS Angle

**Finish :** Hot deep Galvanized, Powder Coated

**Example :** A Powder-Coated Angle Support with length 500mm, width of 50mm and sheet thickness 2.0mm will be represented as **AS PW L500 W50x50 T20**



### ADJUSTABLE VERTICAL CONNECTOR (AV)

**Length (mm) :** 120 (Standard)

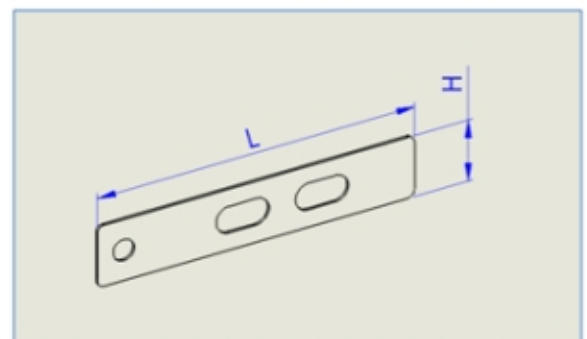
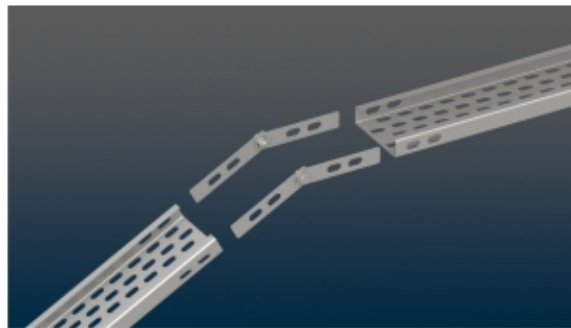
**Height (mm) :** Depending on tray's height

**Thickness (mm) :** 2.0, 2.5, 3.0

**Material :** GI and MS Sheets

**Finish :** Pre-Galvanized, Hot deep Galvanized, Powder Coated

**Example :** A Pre-Galvanized Adjustable Vertical Connector with length 50 a width of 75mm, height 50mm and sheet thickness 2.0mm will be represented as **AVPGT20**



## CABLE TRAY ACCESSORIES

### REDUCER PLATE (RP)

**Width (mm) :** 100, 200, 250  
(Depending on tray's width)

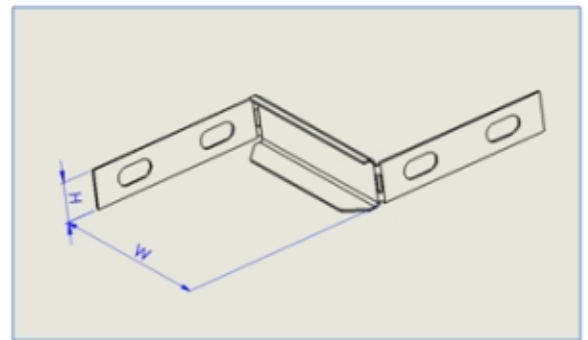
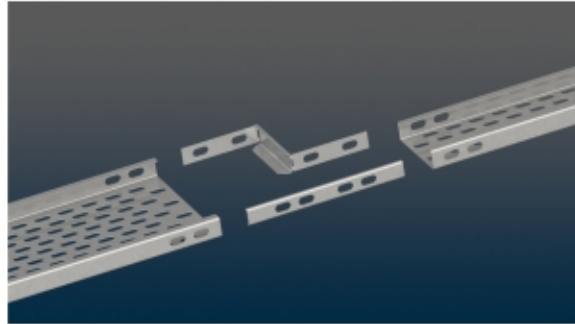
**Height (mm) :** Depending on tray's height

**Thickness (mm) :** 1.2, 1.6, 2.0, 2.5, 3.0

**Material :** GI and MS Sheets

**Finish :** Pre-Galvanized, Hot deep Galvanized, Powder Coated

**Example :** A Powder Coated Reducer Plate with width W1 of 100 and W2 200mm, height 25mm and sheet thickness 2.0mm will be represented as **RP PWW100/W200 H25 T20**



### CONNECTING PLATE (CP)

**Length (mm) :** 150 (Standard)

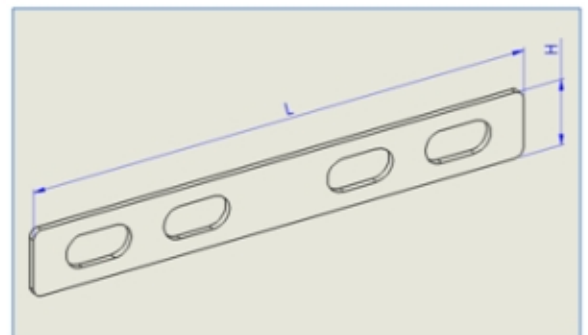
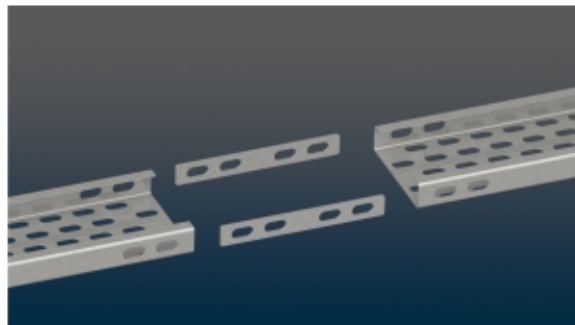
**Height (mm) :** Depending on tray's height

**Thickness (mm) :** 2.0, 2.5, 3.0

**Material :** GI and MS Sheets

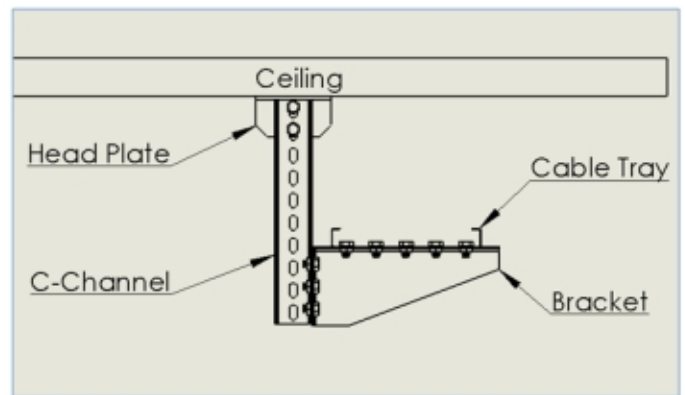
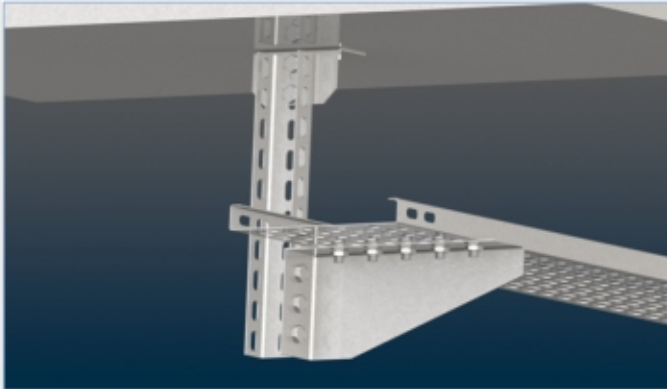
**Finish :** Pre-Galvanized, Hot deep Galvanized, Powder Coated

**Example :** A Pre-Galvanized Connecting Plate with height 45mm and sheet thickness 2.0mm will be represented as **CP PG T20**



## CABLE TRAY ACCESSORIES

### ANGLE CONNECTION



### BRACKET CONNECTION

